

BRAMAH C17 RIM CYLINDER

Technical Information

C17 Rim Cylinder

●Background

The Bramah Rim Cylinder was first made some 150 years ago. It is key registered (a replacement key is only released with an authorised signature) and secure the current release of the Bramah mechanism provides 524288 unrepeated differs.

Since our first cylinder Bramah has used the best nightlatch for an application. These applications would include:-

- Residential Front Doors.
- Commercial Office Front Door.
- Estate out-buildings.
- Multi tenanted buildings and Commercial front doors.

The Bramah rim cylinder is also very long lasting, with some surviving in London from the late 1800's.

●Common Applications

For office and residential front doors. Used in conjunction with the Bramah range of mortise deadlocks, where all locks are keyed alike with one key, for which we make no extra charge.

Any application where a lock body is already in place with a low security cylinder.

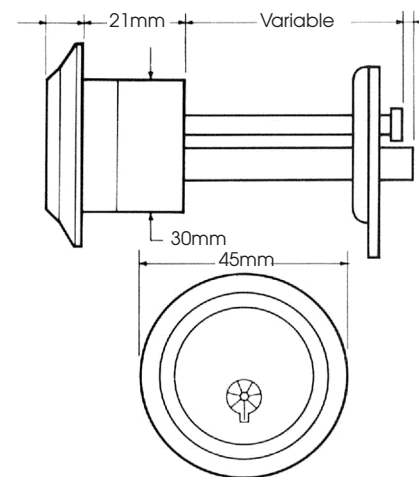
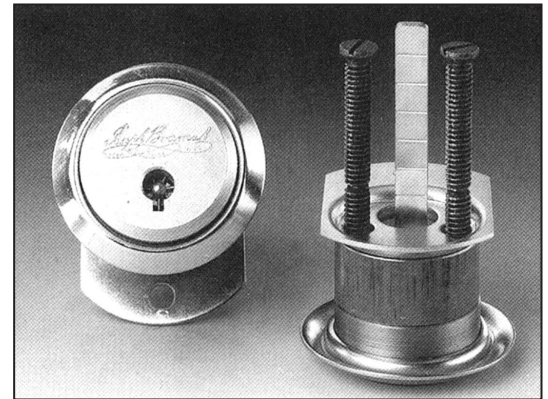
●Features

Full compatibility with Ingersoll, Yale, ERA and Cisa products on the market, which should be specified when ordering.

Hardened steel washer to prevent drilling.

●Architectural Finishes Available

Nickel, Brass and BMA. Black as a special.



Major dimensions



C17+Door pull in brass finish