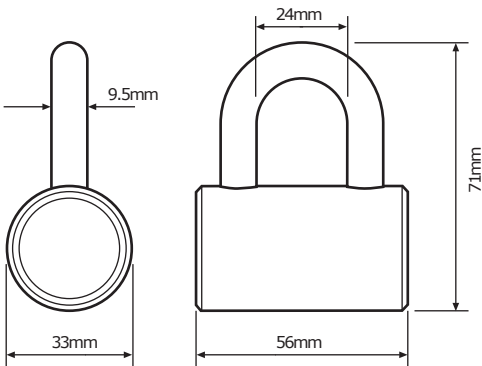


# PADLOCKS



BP 17 Long



## BP

### (Barrel Padlock)

#### COMMON APPLICATIONS

Any medium range security risk.  
Entrance Gates, Sheds, Boxes, Field Gates, including  
Stables and Lock-ups.

#### DESIGN FEATURES INCLUDE

Case hardened shackle to give medium range security.

#### PRODUCT OPTIONS AVAILABLE

BP 17 Short or BP 17 Long.

**Keying Options - Mastering** (Keys with priority in number of locks opened), **Passing** (Locks have the same key) **and to Differ** (Key is unique to lock)

#### FINISHES

Stainless Steel