

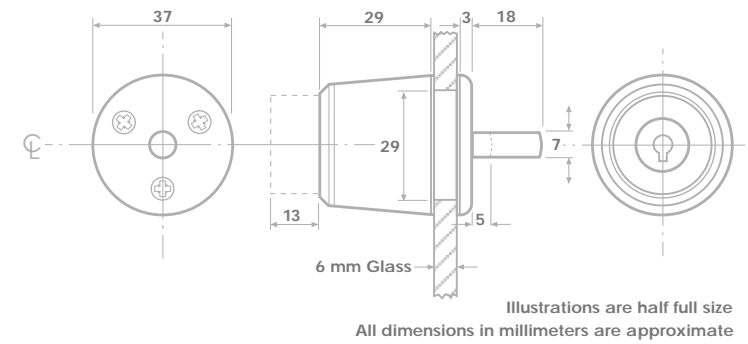
PUSH LOCK



Common Applications

- Retail Display Cabinets with Glass or Wooden Sliding Doors.

PUSH LOCKS



Options

Options	CAB 17PSH
A1 - 25mm Cone for 6mm to 10mm glass	Standard
A2 - 14mm Cone for 17mm to 21mm wood	Standard
A3 - 5mm Rose for 26mm to 30mm wood	Standard
B1 - 24mm Bolt to be used when gap is 3mm	Standard
B2 - 30mm Bolt to be used when gap is 10mm	Standard
B3 - 36mm Bolt to be used when gap is greater than 10mm	Standard
C1 - Chrome Finish, polished	Standard
C2 - Brass Finish	Standard

Options, thickness of glass or wood doors and the gap between them, must be specified with each order

Bespoke Development

- The CAB 17PSH was designed and developed for Argos Distributors Limited as a result of losses from glass display cabinets.