

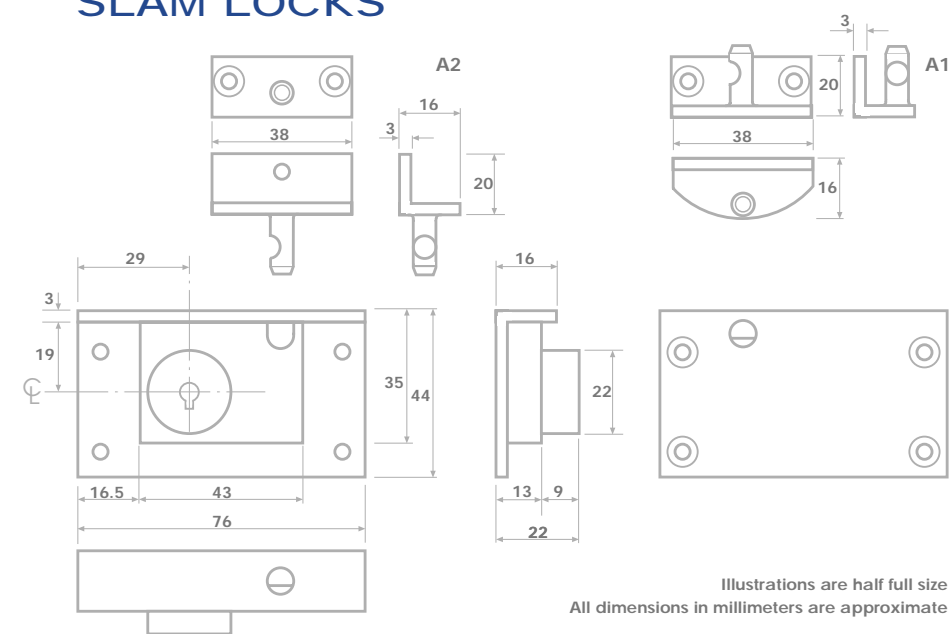
## SLAM LOCKS



### Common Applications

- Retail Display Cabinets.
- Jewellery Stores.
- Museums and Galleries.
- Office Drawers.
- Drug storage.
- Cash Desks.
- Cupboards and Deed Boxes.

## SLAM LOCKS



### Options

	CAB 17SL
A1 - Draw Action	Standard
A2 - Sliding Door Action	Standard
B1 - Brass Finish, finished and lacquered	Standard
B2 - Chrome Finish, matt	Standard

Options must be specified with each order

### Bespoke Development

- The CAB 17SL was designed and built for a National Building Society.